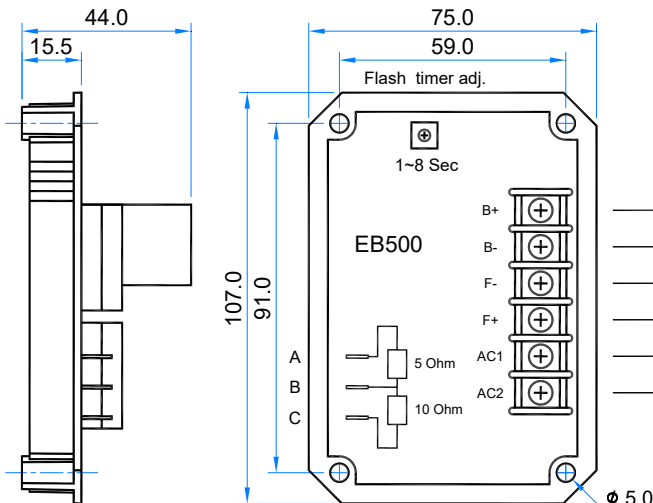
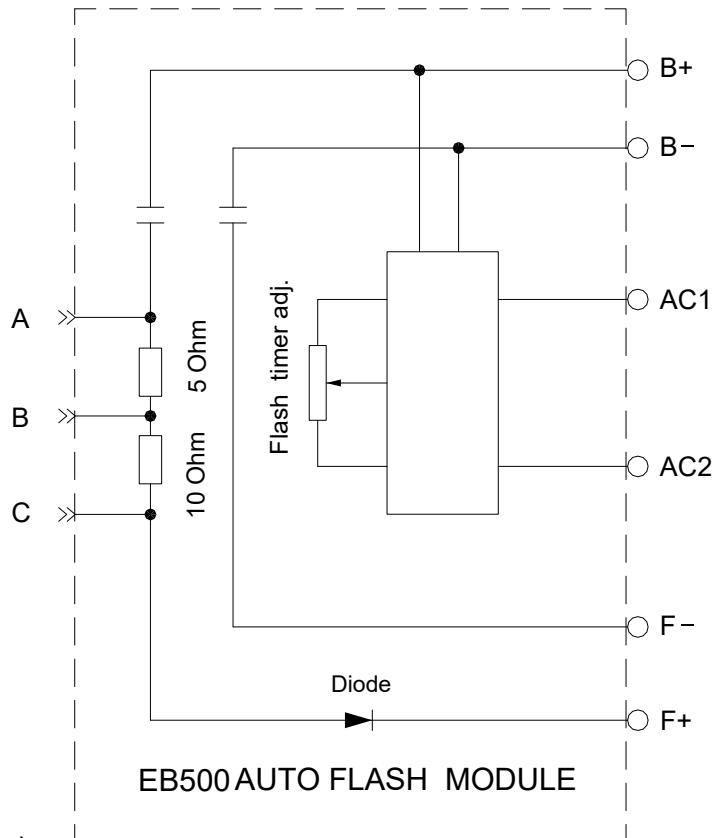


# EB500 12 / 24V DC

1 Shot Auto Flash Module  
Generator Voltage Build Up Latching Relay

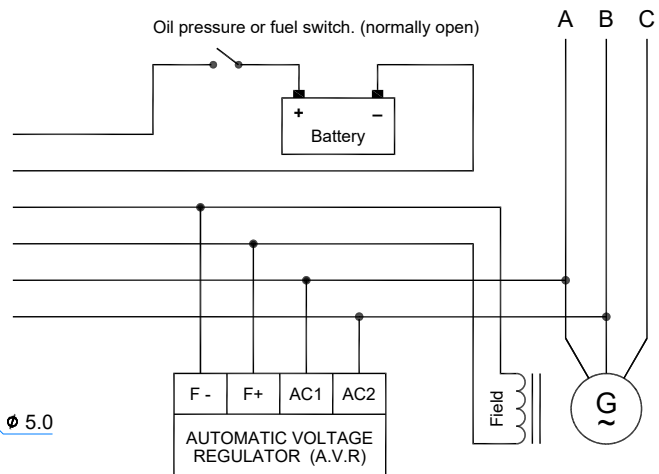


Input Voltage : DC 11 – 30 Vdc  
Sensing Voltage : AC 120 / 240 Vac  
Frequency : 20 to 500 Hz  
Flashing Time : 1 – 8 sec. (Adjustable)  
Trigger Contact : Oil Pressure (Normally Open)  
Excitation Current : 12V 0.8 / 1.2 / 2.4A DC  
24V 1.6 / 2.4 / 4.8A DC  
Dimensions : 107.0 (L) x 75.0 (W) x 44.0 (H) mm  
Weight : 210 g +/- 2%



NOTE :  
ALL OPEN FOR 15 Ohm  
JUMP A-B FOR 10 Ohm  
JUMP B-C FOR 5 Ohm  
JUMP A-C FOR 0 Ohm

Unit : mm



Notice: EB500 is not suitable for use with generators that have a directly grounded N phase.  
Short-circuiting will occur when the EB500 is activated (due to battery common ground).

## Flash Current Selection

A, B, C (Open)	12V = 0.8A	24V = 1.6A
A – B (Short)	12V = 1.2A	24V = 2.4A
B – C (Short)	12V = 2.4A	24V = 4.8A